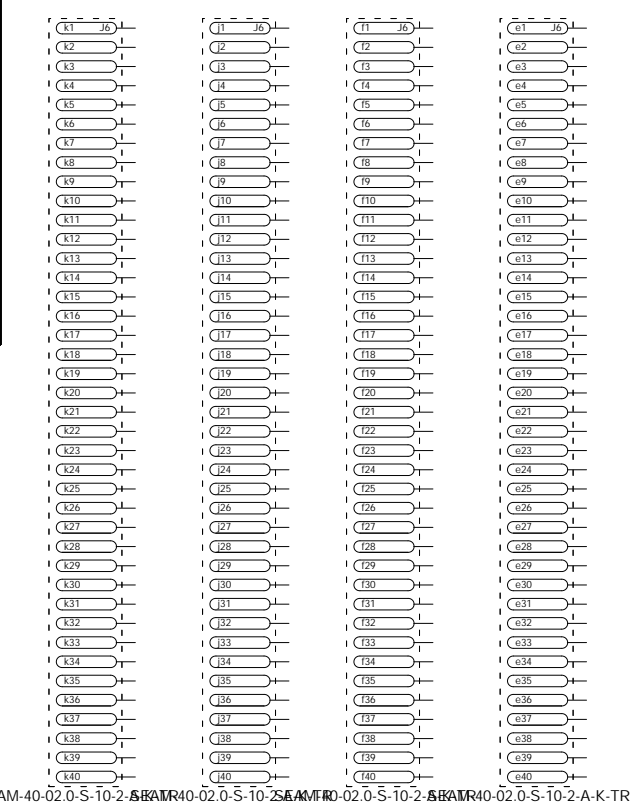
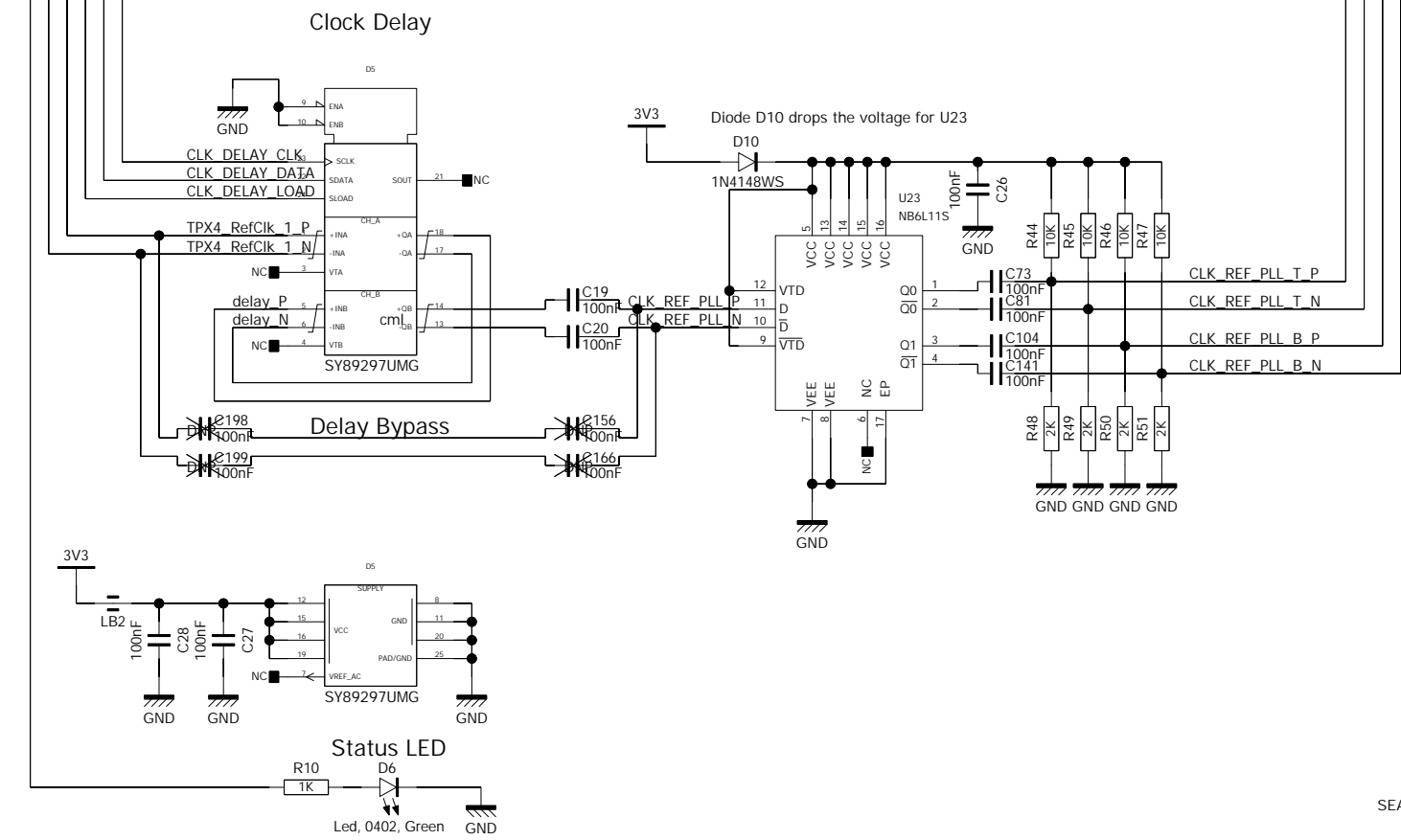
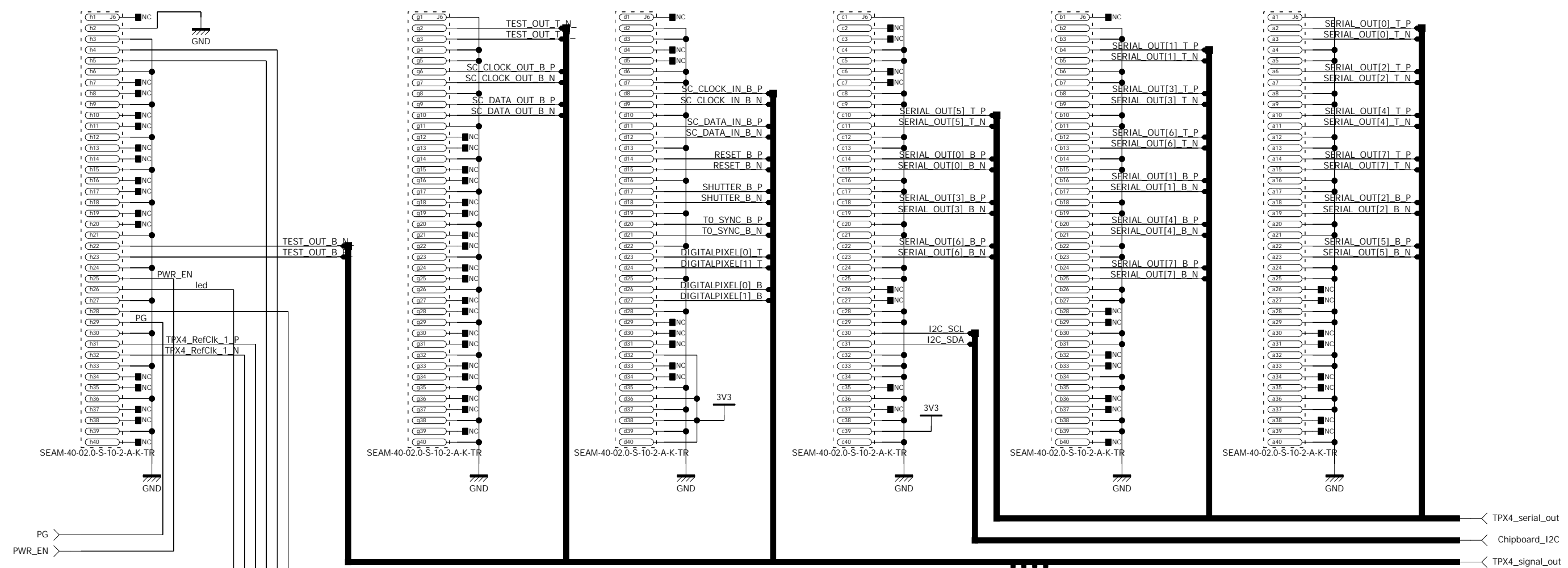


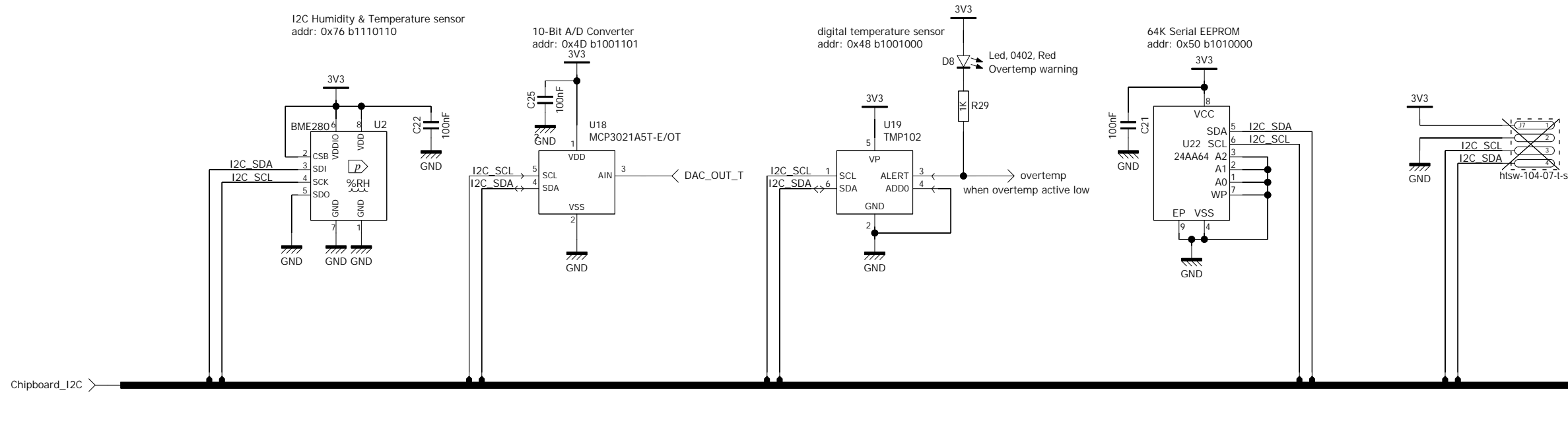
I2C devices
 TPX4
 INA219 VDD addr: 0x?
 INA219 VDDA addr: 0x45 b1000101
 BME280 addr: 0x41 b1000001
 MCP3021A5T addr: 0x76 b1110110
 TMP102 addr: 0x4D b1001101
 24AA64 addr: 0x48 b1001000
 addr: 0x50 b1010000

rev.	by	notes
TPX4 WB Chipboard V3		
Project : SPIDR IV		
Sheetname : Top		
	40054.10.21.2	
	Designed by Bas van der Heijden	
	Drawn by Bas van der Heijden	
	Size 420 x 297mm	
	Sheet	1 of 6
Science Park 10698XG Amsterdam +31-(0)20-59220000 w.nikhef.nl		Date 2021-11-19

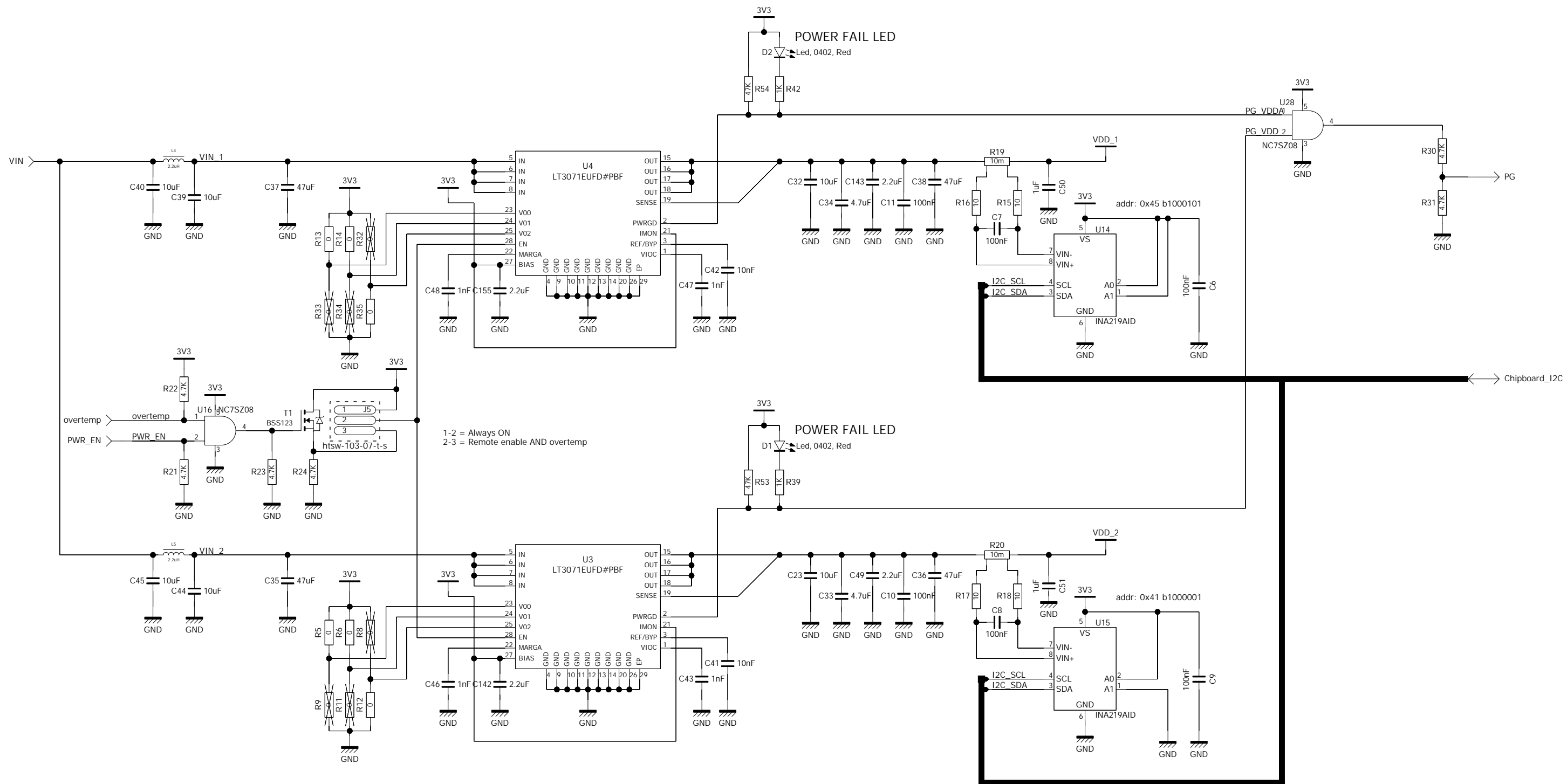


rev.	by	notes
TPX4 WB Chipboard V3		
Project : SPIDR IV		
Sheetname : Chipboard_FMC		
		40054.10.21.2
		Designed by Bas van der Heijden
		Drawn by Bas van der Heijden
		Size 420 x 297mm
Science Park 106 9838 Amsterdam		Sheet 2 of 6
+31-(0)20-59220000@nikhef.nl		Date 2021-11-19

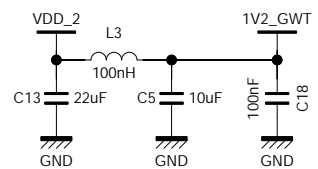
SEAM-40-02.0-S-10-2-A-K-TR SEAM-40-02.0-S-10-2-A-K-TR SEAM-40-02.0-S-10-2-A-K-TR SEAM-40-02.0-S-10-2-A-K-TR



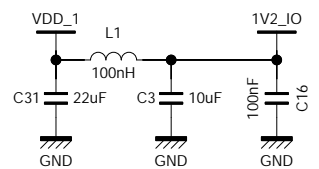
rev.	by	notes
TPX4 WB Chipboard V3		
Project : SPIDR IV		
Sheetname : Chipboard_Perhiplals		
 Science Park 10698XG Amsterdam +31-(0)20-59220000 www.nikhef.nl	40054.10.21.2	
	Designed by	Bas van der Heijden
	Drawn by	Bas van der Heijden
	Size	420 x 297mm
	Sheet	3 of 6
Date	2021-11-19	



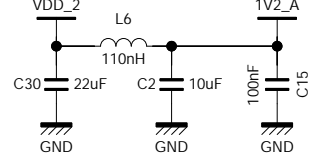
GWT POWER: VDD_GWT_TOP[7:0]/VDD_GWT_BOT[7:0] = < 50mW (@1.2V)



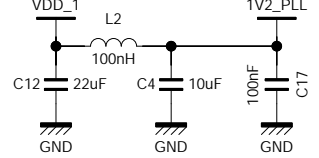
IO POWER: VDD_PST_TOP[3:0]/VDD_PST_BOT[3:0]/ VDD_PST_CENTER[3:0] = < 50mW (@1.2V)



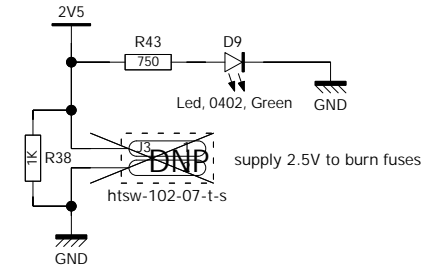
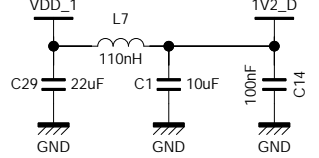
ANALOG CORE: VDDA-GNDA < 3.5W (@1.2V)



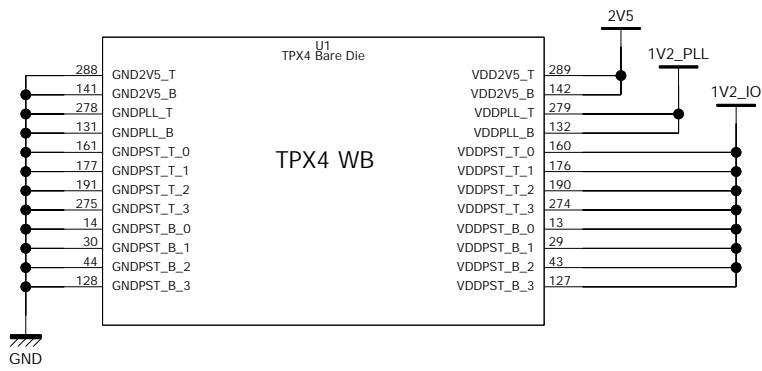
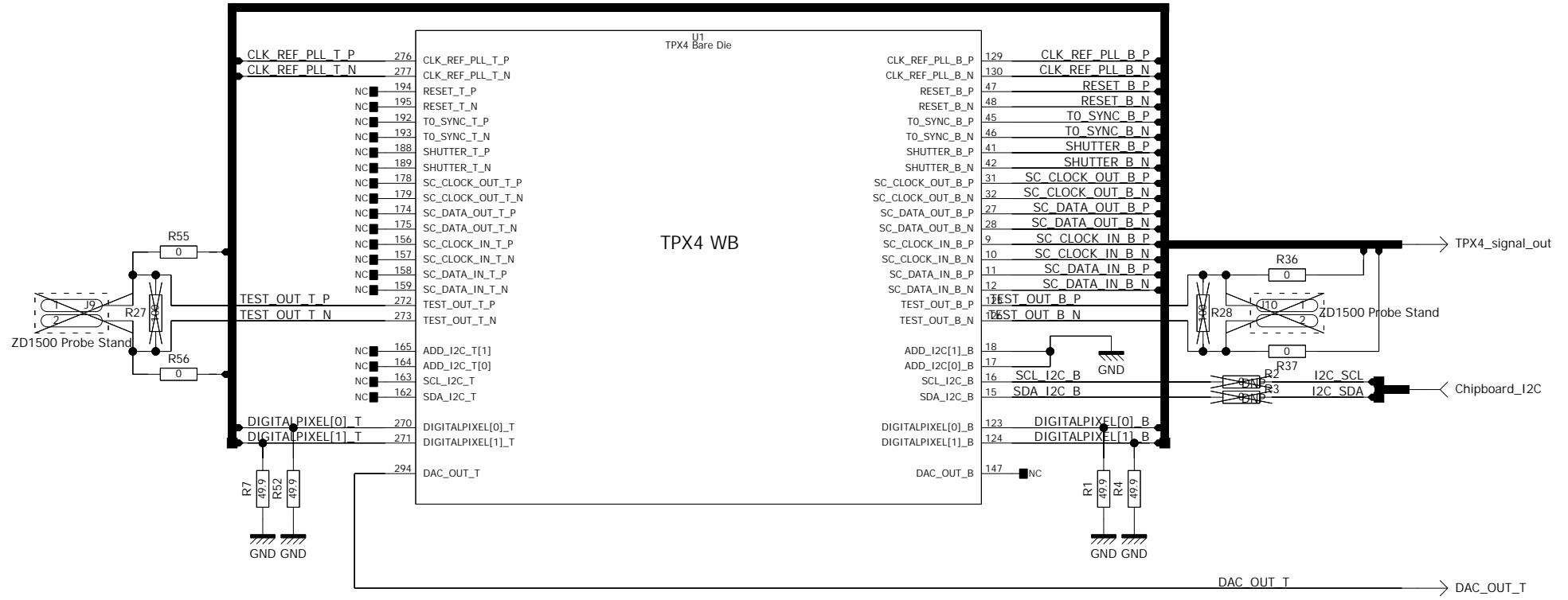
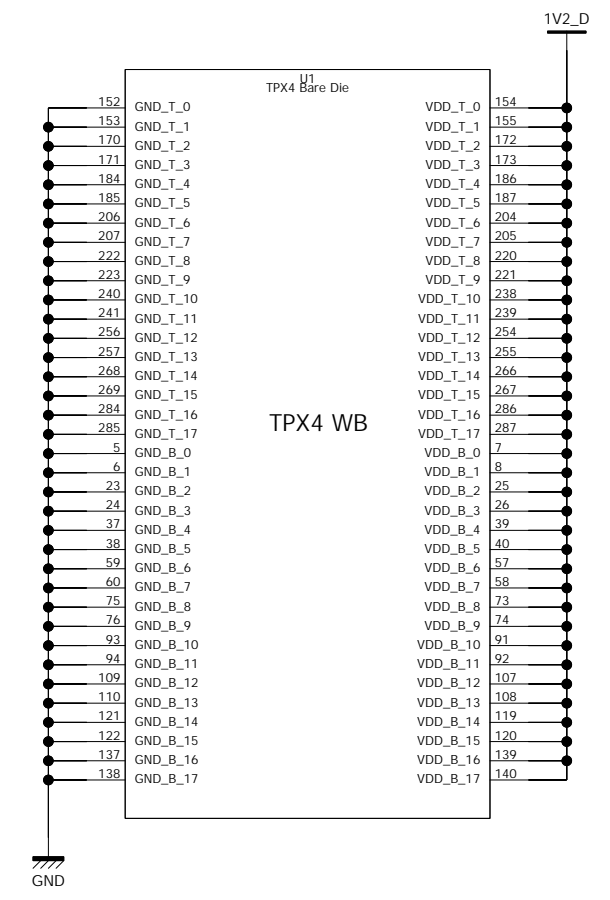
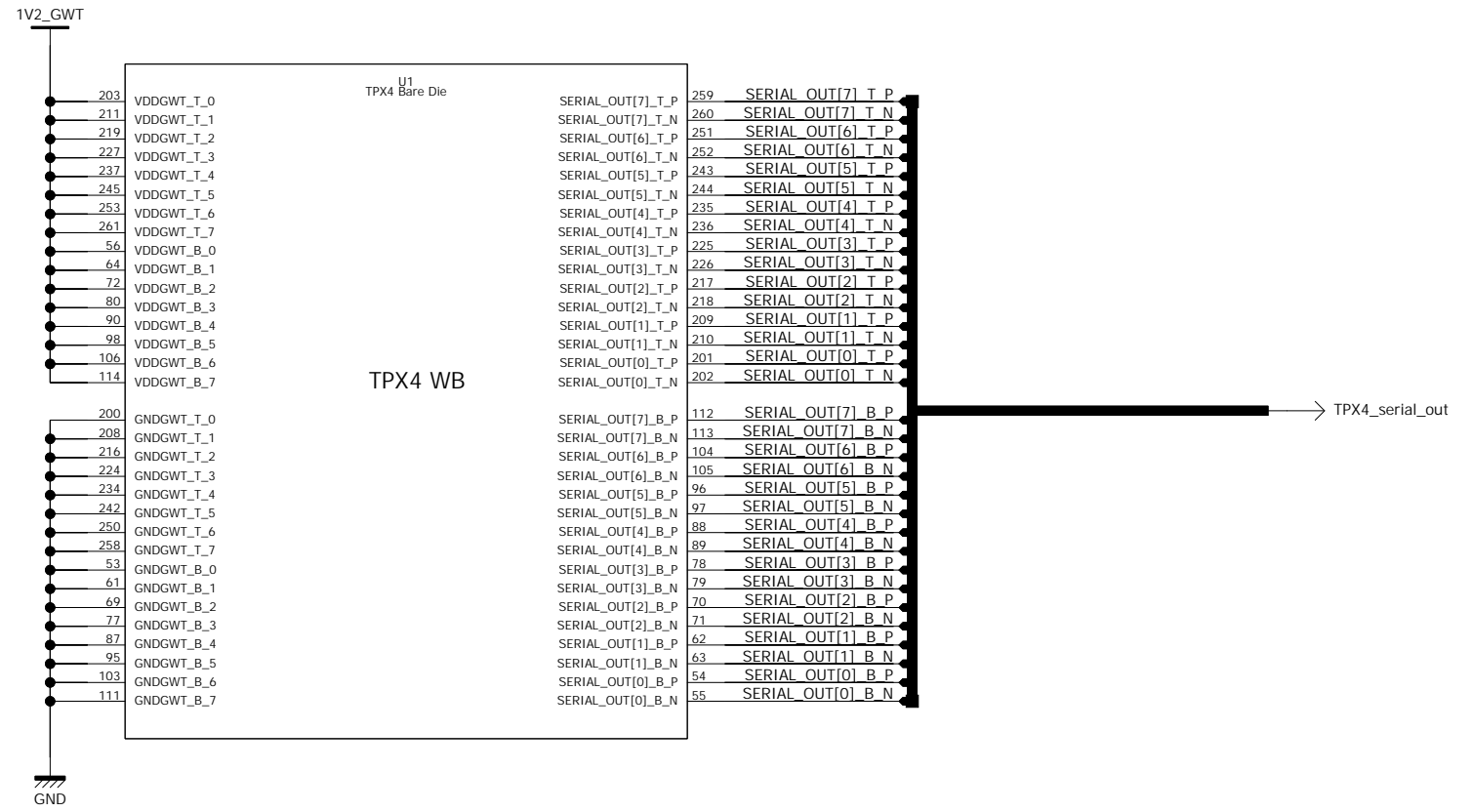
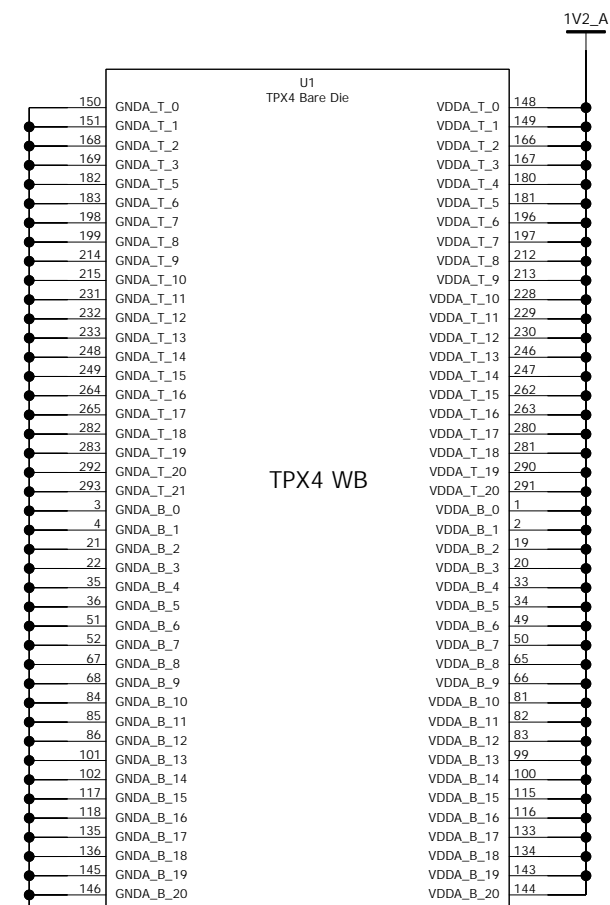
PLL POWER: VDD_PLL_TOP/VDD_PLL_BOT = < 5mW



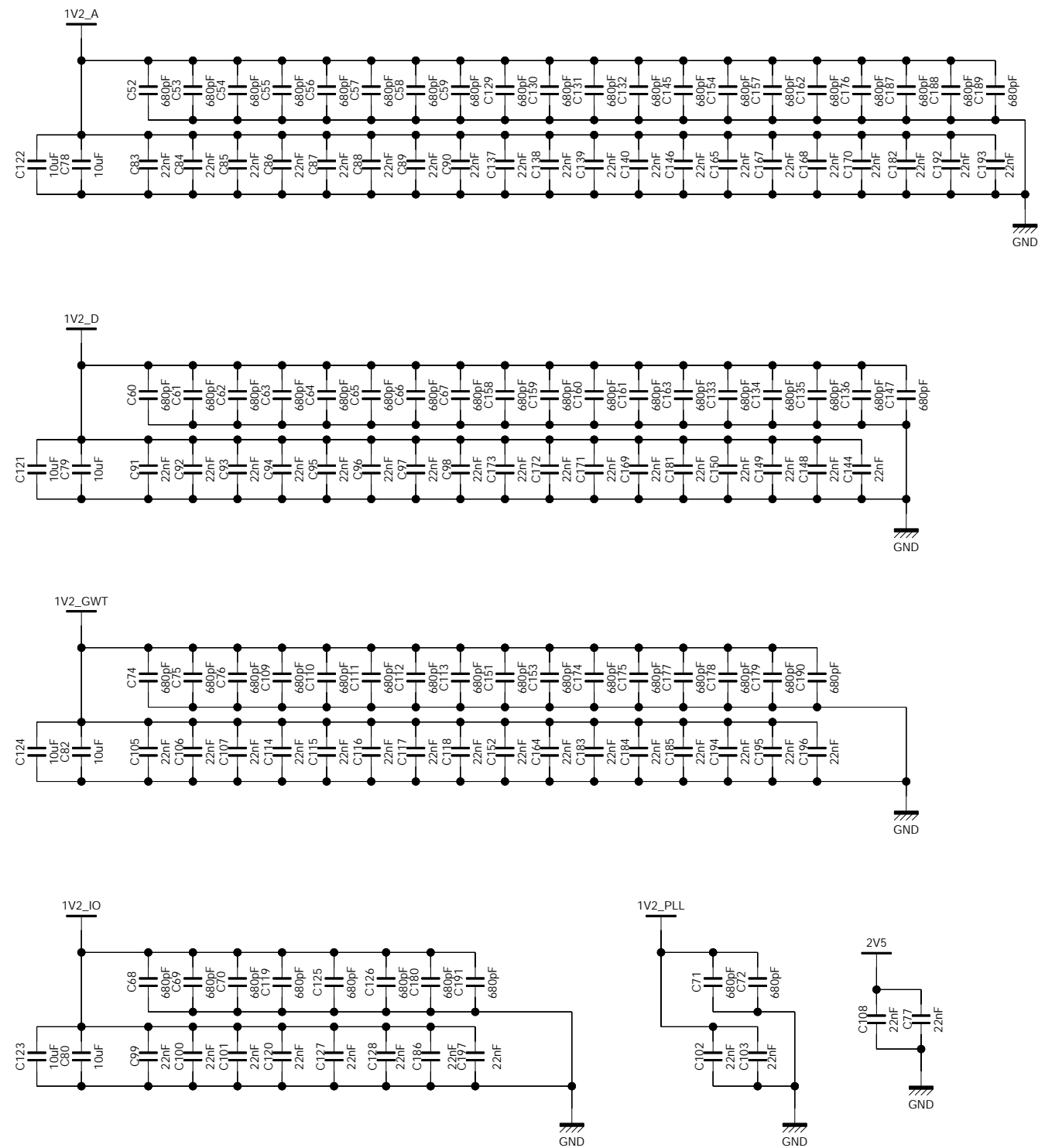
DIGITAL CORE: VDD-GND < 2.5W (@1.2V)



rev.	by	notes
TPX4 WB Chipboard V3		
Project : SPIDR IV		
Sheetname : Chipboard_Power		
Nikhef Amsterdam		40054.10.21.2
Designed by Bas van der Heijden		
Drawn by Bas van der Heijden		
Size 420 x 297mm		
Sheet 4 of 6		A3
Date 2021-11-19		
Science Park 10698XG Amsterdam +31-(0)20-5922000 w.nikhef.nl		



rev.	by	notes
TPX4 WB Chipboard V3		
Project : SPIDR IV		
Sheetname : Chipboard_TPX4		
Nikhef		40054.10.21.2
Amsterdam		Designed by Bas van der Heijden
Science Park 10698XG Amsterdam +31-(0)20-5922000@nikhef.nl		Drawn by Bas van der Heijden
Size 420 x 297mm		Sheet 5 of 6
Date 2021-11-19		A3



rev.	by	notes
TPX4 WB Chipboard V3		
Project : SPIDR IV		
Sheetname : TPX4_decoupling		
		40054.10.21.2
		Designed by Bas van der Heijden
		Drawn by Bas van der Heijden
		Size 420 x 297mm
		Sheet 6 of 6
Science Park 10698XG Amsterdam +31-(0)20-59220000@nikhef.nl		Date 2021-11-19